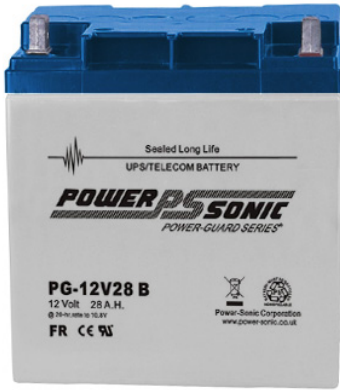


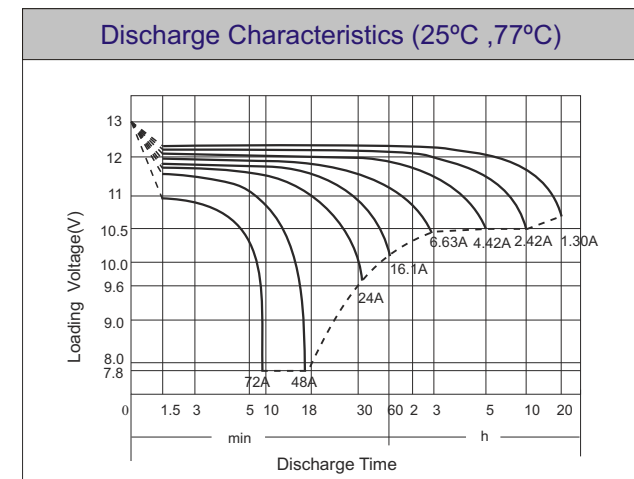
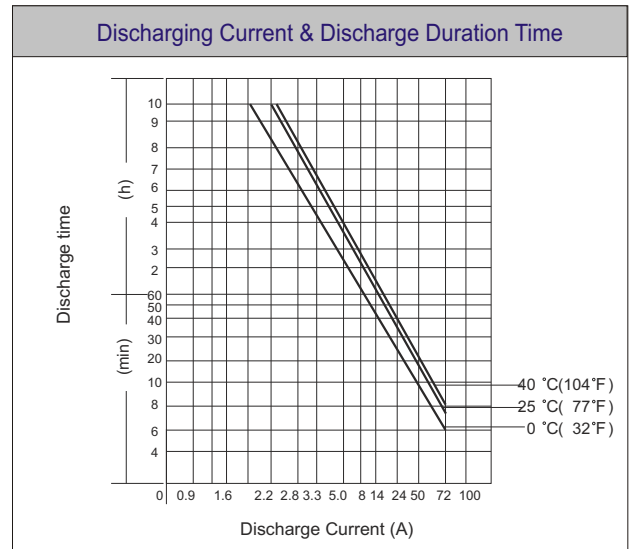
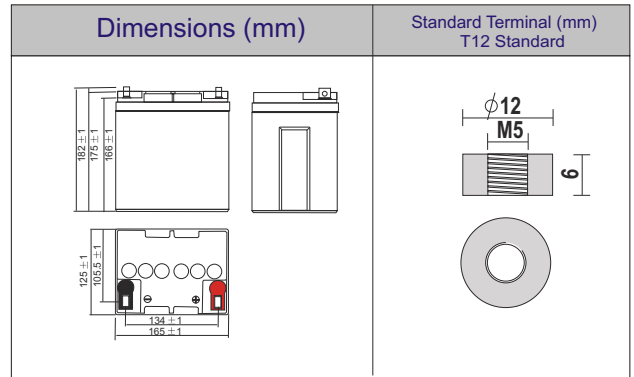


**POWER-GUARD SERIES®**



**PG12V28**

VRLA Sealed Long Life Battery



| Physical Specification  |                           |                         |
|-------------------------|---------------------------|-------------------------|
| Nominal Voltage         | 12V                       |                         |
| Nominal Capacity (20HR) | 26AH                      |                         |
| Dimension               | Length                    | 165 ± 1mm (6.50 inches) |
|                         | Width                     | 125 ± 1mm (4.92 inches) |
|                         | Container Height          | 175 ± 1mm (6.89 inches) |
|                         | Total Height (with Cover) | 182 ± 1mm (7.17 inches) |
| Weight                  | Approx 9.0kg (20.29lbs)   |                         |
| Standard Terminal       | T12 (standard)            |                         |

| Electrical Specification         |                         |         |                  |         |  |
|----------------------------------|-------------------------|---------|------------------|---------|--|
| Rated Capacity                   | 20 hour rate (1.3 A)    | 26AH    | Constant Voltage | Cycle   | Initial Charging Current less than 7.2A. Voltage 14.4V~ 15.0V at 25C (77°F) Temp. Coefficient -30mV/°C |
|                                  | 10 hour rate (2.4 A)    | 24AH    |                  |         |  |
|                                  | 5 hour rate (4.42A)     | 22.1AH  |                  |         |  |
|                                  | 1 hour rate (16.1A)     | 16.1AH  |                  |         |  |
|                                  | 15minute rate (50.96 A) | 12.74AH |                  |         |  |
| Capacity affected by Temperature | 40°C (104°F)            | 103%    | Charge           | Standby | No limit on Initial Charging Current Voltage 13.5V~13.8V at 25°C(77°F) Temp. Coefficient - 20mV/°C     |
|                                  | 25°C (77°F)             | 100%    |                  |         |  |
|                                  | 0°C (32°F)              | 86%     |                  |         |  |

| Constant Current (Amp) and Constant Power (Watt) Discharge Table (25°C, 77°F) |        |        |       |       |       |       |       |       |       |      |      |      |
|---|--------|--------|-------|-------|-------|-------|-------|-------|-------|------|------|------|
| Time(minute) Final voltage/Cell   | 5      | 10     | 15    | 20    | 30    | 45    | 60    | 120   | 180   | 300  | 600  | 1200 |
| Amp/Watt/Cell   | 1.3    | 1.3    | 1.3   | 1.3   | 1.6   | 1.6   | 1.67  | 1.7   | 1.75  | 1.75 | 1.75 | 1.8  |
| Amps  | 104.00 | 74.10  | 50.96 | 41.60 | 29.00 | 20.80 | 16.10 | 9.10  | 6.63  | 4.42 | 2.42 | 1.30 |
| W/Cell  | 186.16 | 139.36 | 96.98 | 81.38 | 58.76 | 41.34 | 31.98 | 18.10 | 13.18 | 8.84 | 4.84 | 2.61 |